



BARRIER FREE

PRIOLO FloWise® 419mm (16-1/2") HEIGHT FLUSHOMETER 4.8L TOILET

VITREOUS CHINA

PRIOLO FloWise® 419mm (16-1/2") HEIGHT 4.8L TOILET

- Floor-mounted rear outlet flushometer valve toilet
- Vitreous china
- Meets definition for HET (High Efficiency Toilet)
- High Efficiency low consumption (4.8 Lpf/1.07 gpf)
- Will also function at 3.8 Lpf/0.8 gpf and 6 Lpf/1.3 gpf with a properly set dual flush valve
- EverClean® surface inhibits the growth of stain- and odor-causing bacteria, mold, and mildew on the surface
- Fully glazed 54mm (2-1/8") trapway
- Elongated bowl
- 419mm (16-1/2") rim height
- Condensation channel
- Powerful direct-fed siphon jet action
- 38mm (1-1/2") inlet spud
- 4 bolt caps
- 100% factory flush tested
(Flushometer valve & seat shown not included)

- 3695 001** Elongated Universal Bowl only, top spud
- 3696 001** Elongated Universal Bowl only, top spud with slotted rim for bedpan holding (white only)
- 3697 001** Elongated Universal Bowl only, back spud
- 3698 001** Elongated Universal Bowl only, back spud with slotted rim for bedpan holding (white only)

Component Parts:

- 047007-0070A** Inlet spud (furnished with bowl)
- 481310-100.xxx** Bolt caps with retainers (furnished with bowl)

Nominal Dimensions:

752 x 356 x 419mm
(29-5/8" x 14" x 16-1/2")

Fixture only, less seat and flushometer valve

Recommended working pressure--
between 25 psi at valve when flushing and
80 psi static.

Meets or Exceeds the Following Specifications: Compliance Certifications -

- ASME A112.19.2-2008/CSH B45.1-08 for Vitreous China Fixtures



MEETS THE AMERICAN DISABILITIES ACT GUIDELINES AND ANSI A117.1 REQUIREMENTS FOR ACCESSIBLE AND USEABLE BUILDING FACILITIES-CHECK LOCAL CODES

- When installed so top of seat is 432 to 483mm (17" to 19") from the finished floor.



NOTE: Roughing-in information shown on reverse side of page

To Be Specified:

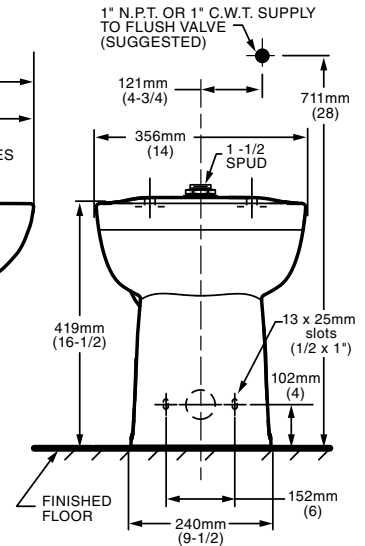
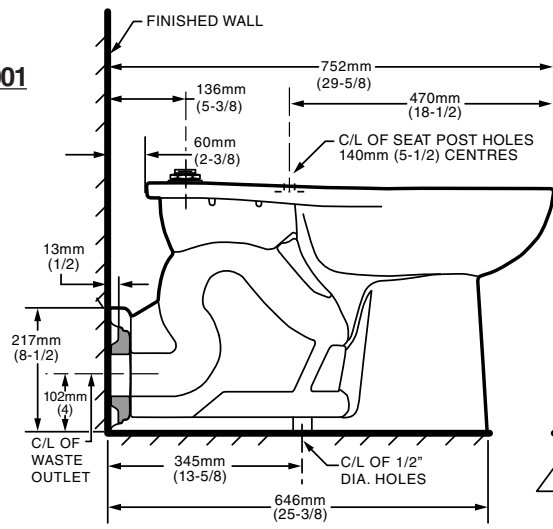
- Colour: White Bone Linen
- Seat:
 - American Standard #5901 110 Heavy duty open front less cover with EverClean® surface
 - American Standard #5905 110 Extra heavy duty open front less cover with EverClean® surface
- Alternative Seat:
- Flushometer Valve:
 - American Standard Selectronic™ #6065 121.002 DC Power (Top Spud)
 - American Standard Selectronic™ #6065 221.007 DC Power (Back Spud)
 - American Standard Selectronic™ #6067 221.007 AC Power (Back Spud)
 - American Standard Selectronic™ #6068 221.007 Multi AC Power (Back Spud)
- Alternative Flushometer Valve:

EVERCLEAN
Surface

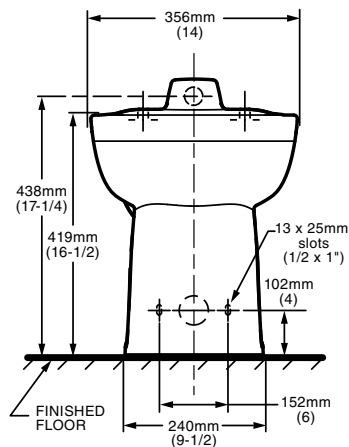
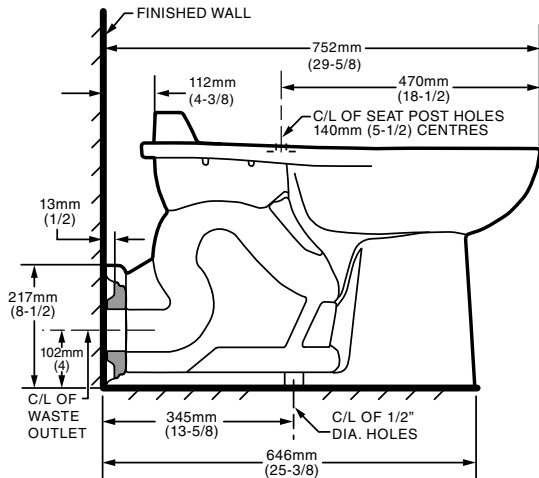


HET High Efficiency Toilet (1.07gpf/4.8Lpf)

3695 001 / 3696 001



DIMENSIONS (Nominal) NOTE: Distance from floor to closet flange centerline (rough-in) must be 4" (102 mm) with flange surface flush to 1/16" (1.6mm) max. beyond finished wall.



3697 001 / 3698 001

DIMENSIONS (Nominal) NOTE: Distance from floor to closet flange centerline (rough-in) must be 4" (102 mm) with flange surface flush to 1/16" (1.6mm) max. beyond finished wall.

NOTES:

PRODUCT 3695 001 AND 3697 001 SHOWN, 3696 001 AND 3698 001 SAME AS EXCEPT WITH SLOTTED RIM FOR BED PAN HOLDING.
TO COMPLY WITH AREA CODE GOVERNING THE HEIGHT OF VACUUM BREAKER ON THE FLUSHOMETER VALVE, THE PLUMBER MUST VERIFY DIMENSIONS SHOWN FOR SUPPLY ROUGHING.
FLUSHOMETER VALVE NOT INCLUDED WITH FIXTURE AND MUST BE ORDERED SEPARATELY. FLUSHOMETER VALVE REQUIREMENTS FOR 12" (305MM) ROUGH-IN: SWEAT EXTENSION NIPPLE IS REQUIRED. REFER TO VALVE MANUFACTURER AND LOCAL CODES.

IMPORTANT: Dimensions of fixtures are nominal and may vary within the range of tolerance established by ANSI Standard A112.19.2 These measurements are subject to change or cancellation. No responsibility is assumed for use of superseded or voided pages.